

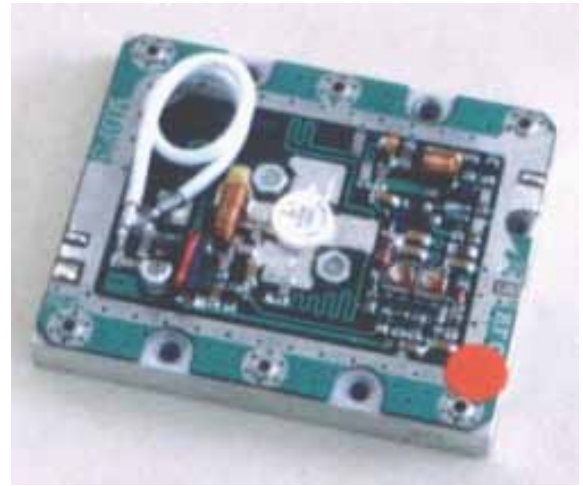


FMAMP30-R2

30W - RF POWER AMPLIFIER

Designed for FM radio transposers and transmitters, this amplifier incorporates microstrip technology and MOSFET to enhance ruggedness and reliability.

- 87.5 ÷ 108 MHz
- 28 Volts
- Input/Output 50 Ω - 50 Ω
- P_{out} : 30 W
- Gain > 30 dB
- Driver Class A
- Output stage Class AB
- Devices: BLF245 or equivalent
- RohS Compliant



Dimensions (LxWxH): 73.5 x 59 x 17.8mm [2.89" x 2.32" x 0.7"]

This picture is a mere example, it does not bind the provided product

ABSOLUTE MAXIMUM RATINGS (Device Flange T = 70 °C)

Symbol	Parameter	Value	Unit
V _S	Voltage Supply	30	V dc
I _S	Supply Current	3	A dc
T _{stg}	Storage Temperature Range	-30 + 100	°C
T _c	Operating Temperature	-10 + 45	°C

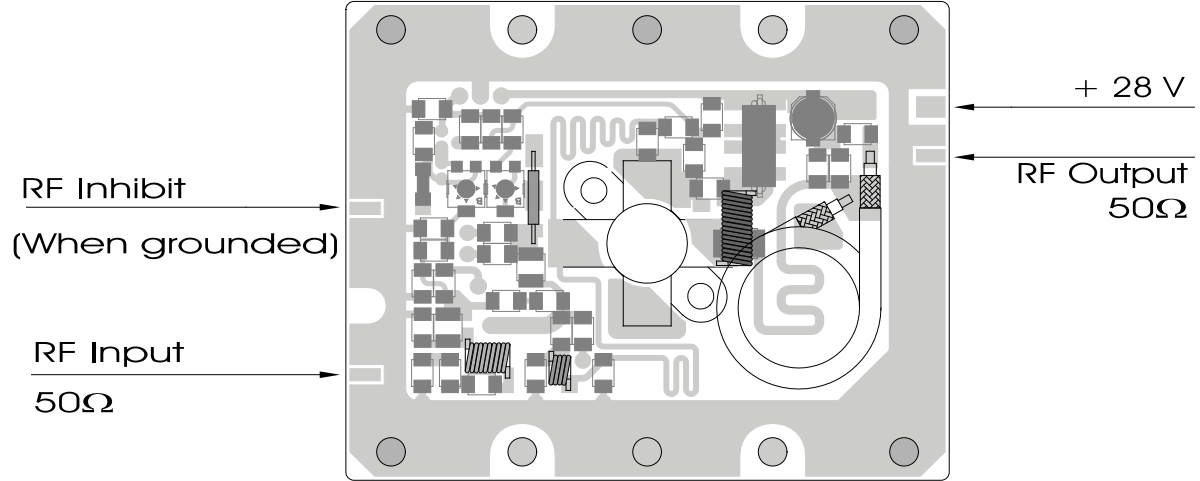
ELECTRICAL SPECIFICATIONS (Base Plate T. = 45 °C, 50 Ω loaded, Vd = 30 V)

Characteristics	Min	Typ.	Max	Unit
Fundamental Output Power	30			W
Power Input	-	-	30	mW
Power Gain (30W output)	30	-	-	dB
Efficiency (Load 50 Ω)	45	-		%
Input VSWR		1.5:1	1.7:1	
Output VSWR (any phase angle)			3:1	
Flatness			±0,5	dB



FMAMP30-R2

PC BOARD LAYOUT



HEATSINK MOUNTING/HARDWARE

1. HEATSINK TOOLING

- Planarity: typical value 0.8μ
- Roughness: better than 0.03 mm

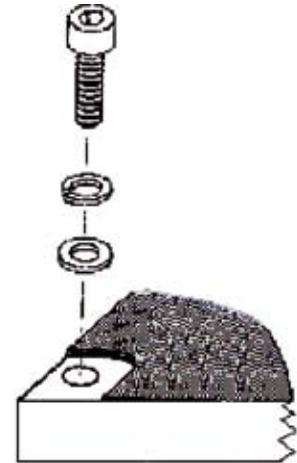
2. THERMAL COMPOUND

- Paste with silicones
- Thickness: optimum between 0.06 mm and 0.15 mm, on the whole back surface of the amplifier.

3. SCREWS

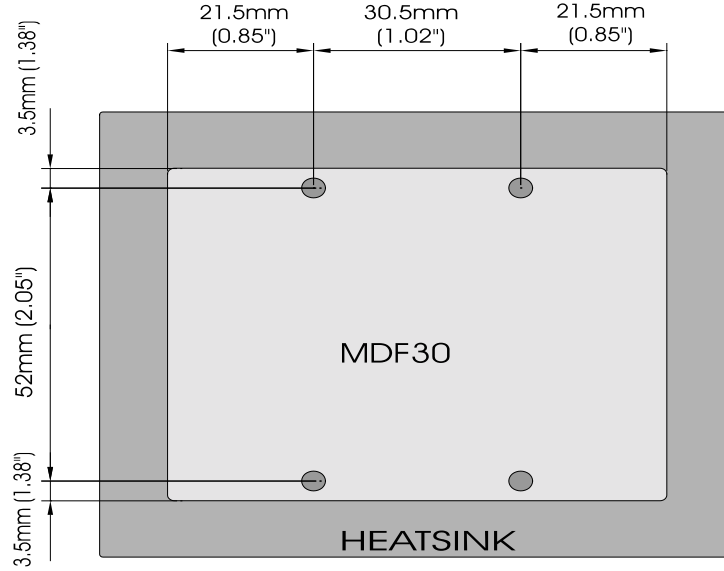
- M3 hexagon socket head cap screws
- The recommended Torque is 12 Kg/cm for M3 type screws and 10 Kg/cm for M2.5 type screws.

4. TIGHTENING ORDER





FMAMP30-R2



IMPORTANT NOTICE

ONAIR RESERVE THE RIGHT TO MAKE CHANGES TO THE PRODUCT(S) OR INFORMATION CONTAINED HEREIN WITHOUT NOTICE. ONAIR ASSUMES NO RESPONSIBILITY FOR ANY ERRORS WHICH MAY APPEAR IN THIS DOCUMENT.

WARRANTY INFORMATION APPLICABLE TO THE PRODUCT IDENTIFIED HEREIN IS AVAILABLE UPON REQUEST. NOTHING CONTAINED HEREIN SHALL CONSTITUTE A WARRANTY, REPRESENTATION OR GUARANTEE OF ANY KIND. ONAIR EXPRESSLY DISCLAIMS ALL OTHER WARRANTIES, EXPRESS AND/OR IMPLIED INCLUDING BUT NOT LIMITED TO WARRANTIES OF MERCHANTABILITY, AND OF FITNESS FOR A PARTICULAR PURPOSE, USE OR APPLICATION.

No part of this document may be copied or reproduced in any form or by any means without the prior written consent of Onair.

WARNING

ONAIR PRODUCTS ARE NOT INTENDED FOR USE IN LIFE SUPPORT APPLIANCES, DEVICES OR SYSTEMS. USE OF A ONAIR PRODUCT IN ANY SUCH APPLICATION WITHOUT WRITTEN CONSENT IS PROHIBITED.