

# BAN4100

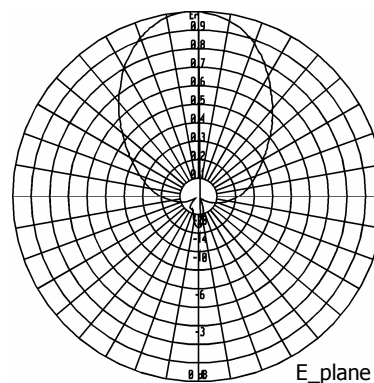
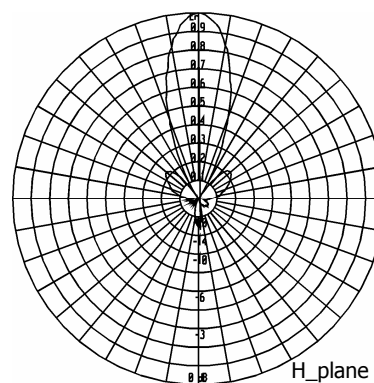
**120° - pol.H  
Four Dipoles Panel**

**470÷710 MHz**

Type	BAN4100
Frequency	470÷710 MHz
Impedance	50 Ω
V.S.W.R.	≤ 1.14
Gain	10 dBd
HPBW	
E-plane	± 37.5°
H-plane	± 12.5°
Front to back	> 20 dB
Polarization	Horizontal
Input connector	7/8" EIA flange
Max power	3.3 kW
Survival wind velocity	200 km/h
Wind load at 200 Km/h	700 N
Dimensions	100x37.1x22.5 cm
Packing type	cardboard box
dimensions	53x108x37 cm
Net weight	14.5 kg
Gross weight	15.5 kg



### RADIATION PATTERN

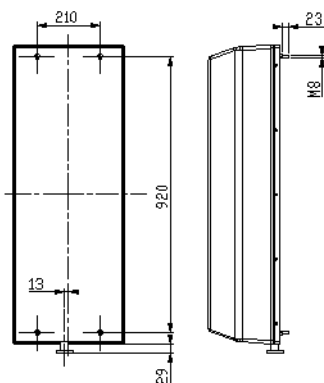


Panels reflector are made of stainless steel as well as nuts and screws.

Input connector is nickel plated while the internal lines are made of silver plated brass.

Alluminium dipoles and passivated brass feeding lines are completely protected by a backed fibreglass radome; standard color white (different colors available on request).

All metallic parts are connected to the ground.



### MOUNTING SYSTEM

On frame according to the mounting lay-out beside.

Pole mount available on request.

This panel can be used in horizontal polarization to set up systems having directive, semidirective and omnidirectional diagrams.

Systems made up with BAN4100 panels can be designed on customer specifications.